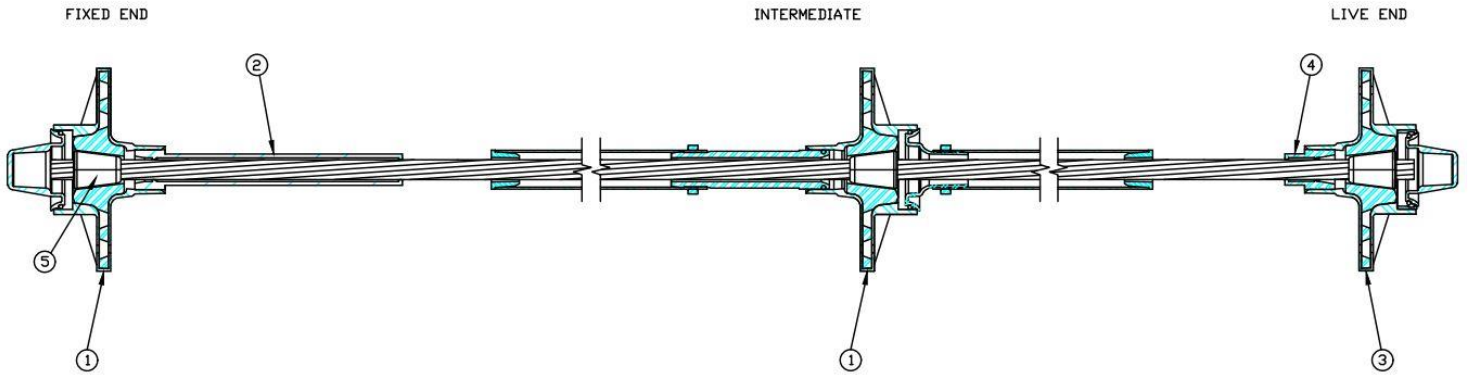


ENCAPSULATED ANCHORAGE SYSTEM

P.T. ATLAS  
MANUFACTURING





- 1. FIXED END / INTERMEDIATE ANCHOR
- 2. 6" OR 9" GUIDE TUBE
- 3. LIVE END ANCHOR
- 4. 1/2", 6" OR 9" GUIDE TUBE

In certain corrosive environments, a fully encapsulated unbonded post-tensioning system may be specified. Such corrosive conditions can be caused by exposure to seawater, deicing chemicals, brackish water, or spray from those sources.



ATLAS 0.5M ANCHOR  
(MADE IN THE USA)



ATLAS LIVE END ANCHORAGES WITH BURN RING



ATLAS FIXED END / INTERMEDIATE ANCHORAGES



WITH 1/2" GUIDE TUBE

WITH 6" GUIDE TUBE

WITH 9" GUIDE TUBE

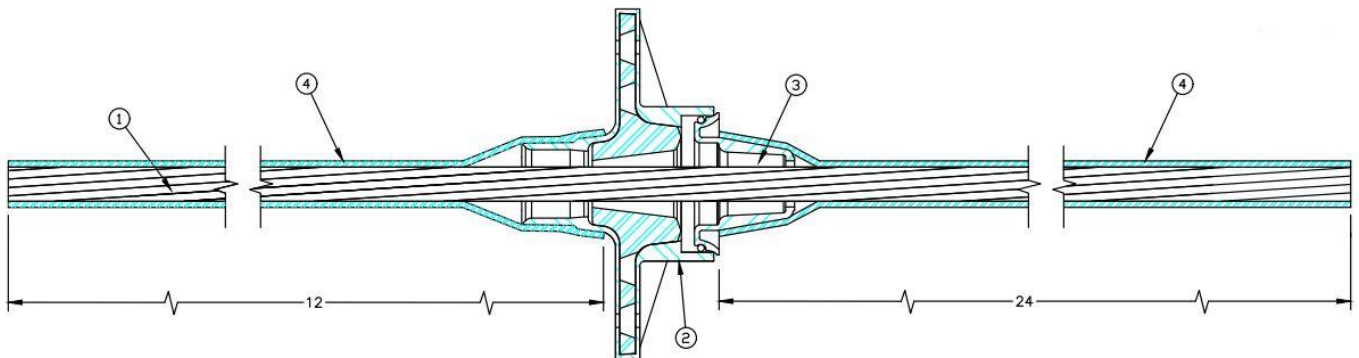
# TWO OPTIONS FOR INTERMEDIATE ANCHORAGES:



HEAT SHRINK TUBING  
(INCLUDES 12" AND 24" SEGMENTS)



RUBBER WATERPROOF TAPE  
(INCLUDES 48" OF TAPE)



- 1. TENDON
- 2. ENCAPSULATED ANCHOR
- 3. INTERMEDIATE CAP
- 4. HEAT SHRINK TUBING -OR- RUBBER WATERPROOF TAPE

## ACCESSORIES:



1-1/2" POCKET FORMER  
2" POCKET FORMER  
45-DEGREE POCKET FORMER



1/2" GUIDE TUBE  
6" GUIDE TUBE  
9" GUIDE TUBE



INTERMEDIATE CAP



GREASE FILLED CAP

The ATLAS encapsulated anchorage system is fabricated to exacting standards, and is made by P.T. Atlas Manufacturing in the U.S.A.

Utilizing a fully encapsulated ATLAS 0.5M anchorage, in conjunction with guide tubes and P-T grease-filled caps, the ATLAS encapsulated system is designed to prevent water intrusion, protecting the post-tensioning tendon, creating a watertight anchor-sheath connection and enclosure of the wedge cavity.



ATLAS 2-PIECE WEDGE FOR 0.5" STRAND



**MORE INFORMATION:**



PRODUCTION DATE, MONTH  
(OF ENCAPSULATION)

PRODUCTION DATE, DAY  
(OF ENCAPSULATION)



HEAT LOT NUMBER OF CASTING = "ABC"

Each ATLAS encapsulated anchorage system has undergone all required static, fatigue, and hydrostatic testing, and is built to exceed the requirements of the Post-Tensioning Institute™. Copies of these reports are available upon request.

**P.T. ATLAS MANUFACTURING, LLC**  
**712-A WEST SIMONDS ROAD**

**SEAGOVILLE, TX 75159**

**(972) 287-1420**